



ELECTRIC BIKE MAINTENANCE STATION

E-SUPREMA



REMAE-SUPREMA



TECHNICAL SPECIFICATIONS

E-SUPREMA

This 230V e-bike maintenance, pumping and charging station is easy to use and compatible with bikes of all types. Its structure is light and robust. The bike is lifted and held securely off the ground by placing the saddle on the support arm. This way the bike is easily and fully accessible for maintenance, which is carried out using the tools attached to the station by means of steel cables. The tools are of excellent quality and each serve a specific purpose. The pump and pressure gauge allow you to measure tyre pressure accurately. The station is equipped with a high-quality pump and a glycerine-filled pressure gauge that does not allow condensation to form, making it so that pressure can be read clearly.

PUMP

It is made entirely by GREEN GARAGE BIKE and is easy to use. It is compatible with all types of valves that are to be found on the market (8 bar max).

MATERIALS USED

Anticorrosive aluminium structure. Various stainless-steel bolts.

STANDARD (MATTE) COLOURS

Ral 5024 (Air force blue)  Ral 7030 (Urban)  Ral 6021 (Olive)  Ral 6018 (Green) 

HOW TO INSTALL IT

The base of the station has 4 holes $\varnothing 11$ that allow it to be fixed to the ground, using the fixing caps that have been provided. Anti-theft caps are available on request. For safety reasons, we recommend that the station be secured before use.

MAINTENANCE

Despite its exposure to atmospheric conditions, the station does not require any extraordinary maintenance work, due to the fact that it is made of aluminium and steel components. We recommend covering it in the event that it is not used in winter. Pump: we recommend lubricating the stem from time to time.

WARRANTY

There is a 2-year warranty on all of the station's structural parts (including the pump), with the exception of parts prone to wear and tear (i.e. gaskets, rings etc.). Spare parts are available for all station components. Ask for prices and availability. The warranty does not cover any damage caused by individuals or vandalism. THE WARRANTY IS EX-WORKS GREEN GARAGE BIKE.

OVERALL SIZE AND WEIGHT

Support arm 29.5 cm - Height 150,6 cm - Width 44 cm - Depth 30 cm - Weight 25 / 28 kg (depending on model)

TOOLS – THIS STATION IS EQUIPPED WITH A CABLE REEL SYSTEM FOR TOOLS

1 Phillips-head screwdriver - 1 flathead screwdriver - 1 0/22 mm universal spanner - 1 pair of tyre levers - 1 15 mm spanner - 1 13 mm spanner - 1 2.5/10 mm multitool Allen key kit

E-BIKE FEATURES

N. 2 230V ip54 schuko sockets - N. 1 0.003 A magnetothermic differential switch(es) - WE PROVIDE CERTIFICATES OF FITNESS AND COMPLIANCE. We warrant that all GREEN GARAGE BIKE products are manufactured according to the specifications laid down in the applicable international standards, as detailed in the related technical documentation, catalogues, websites, etc. We also warrant that they are fit for their intended use. We also ensure that the products used in our items are in line with the IEC 60900:2004 standard.

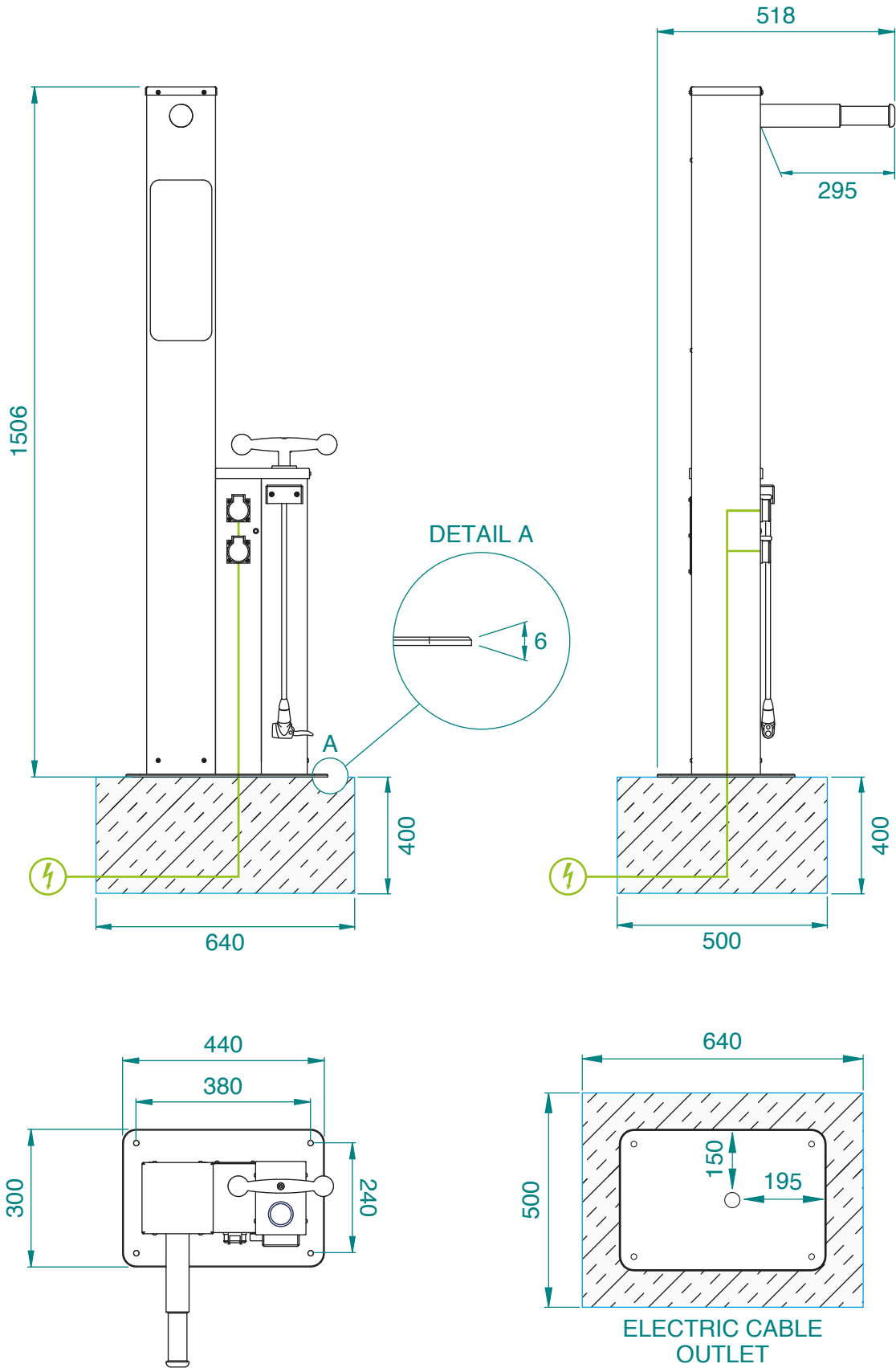
CUSTOMISED GRAPHICS

GREEN GARAGE BIKE offers the possibility of customising the station with the customer's graphics. Send us a vector file and we will provide you with a quotation for the customisation work.

----- **WARNING: THE STATION MUST BE CONNECTED TO THE POWER GRID BY A PROFESSIONAL ELECTRICIAN** -----

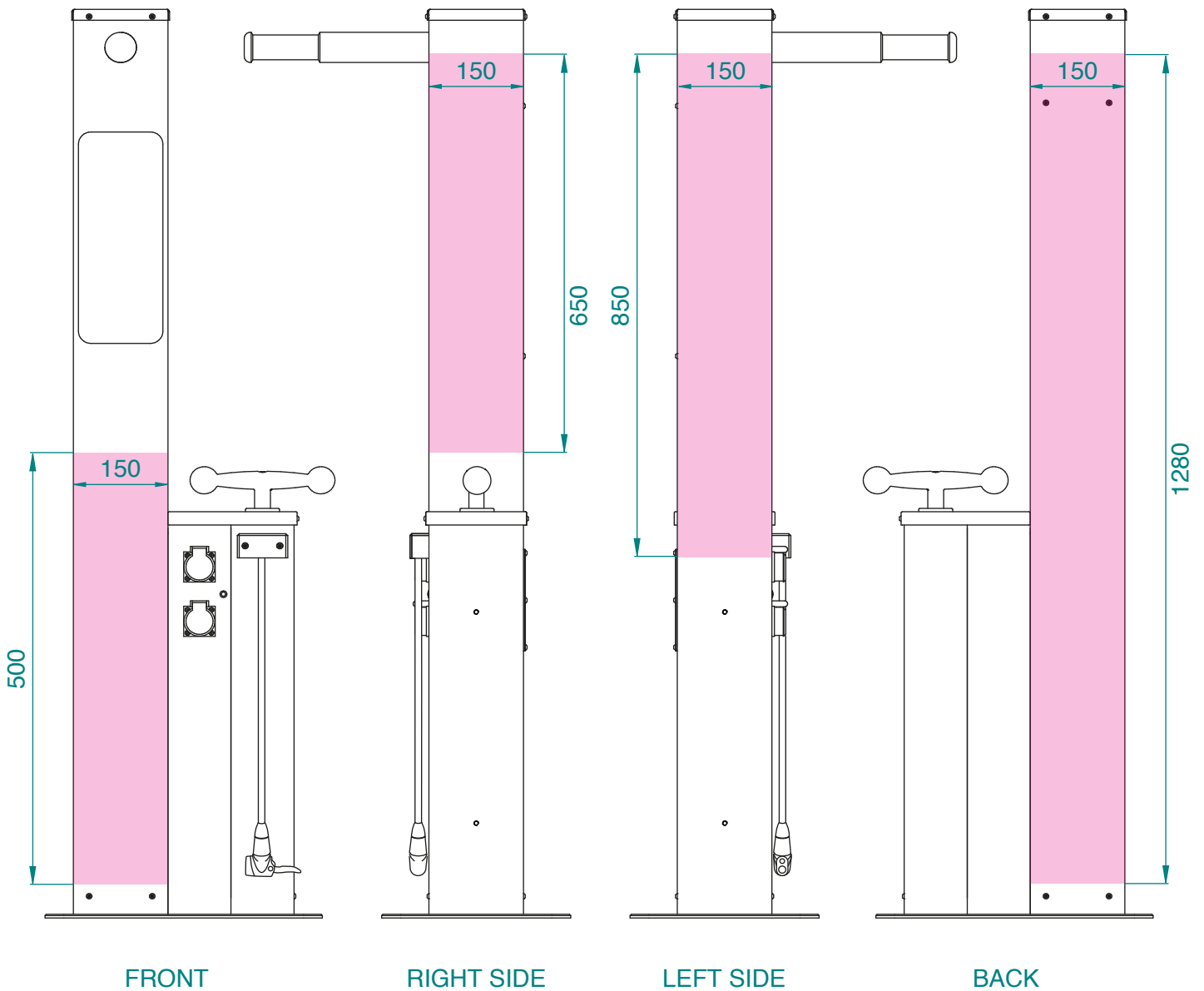
SIZE

E-SUPREMA



CUSTOM GRAPHICS SIZE

E-SUPREMA



GRAPHICS SIZE

